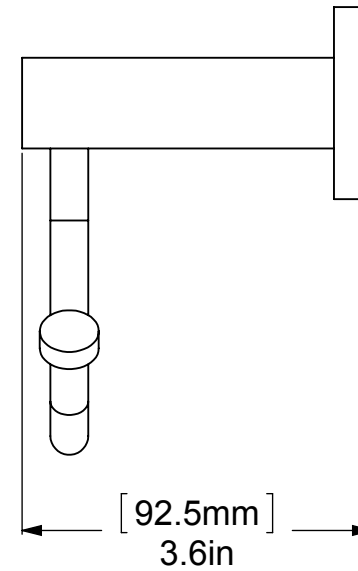
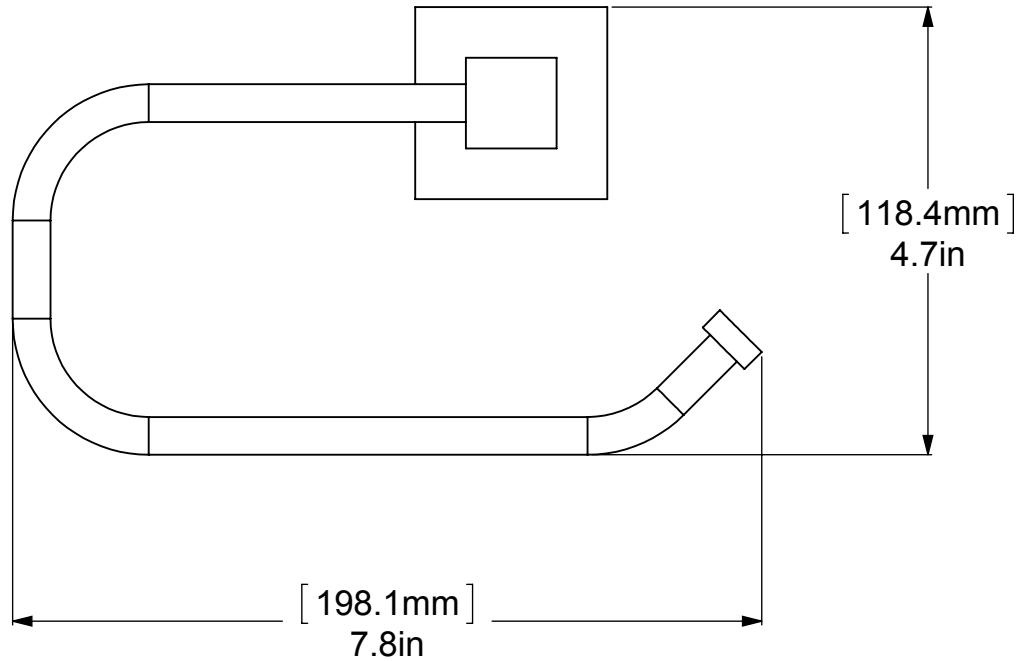
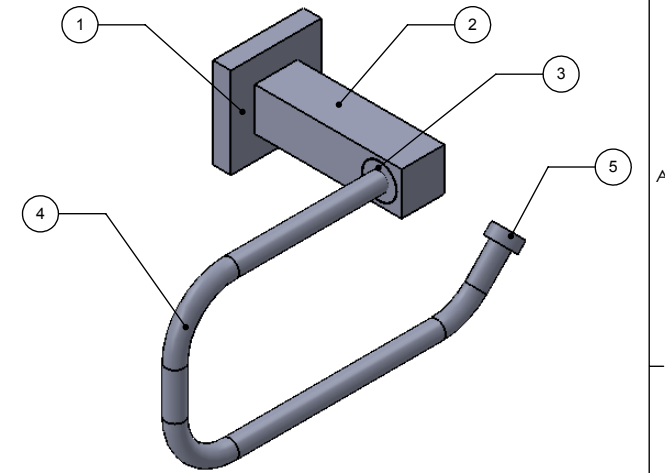


ITEM NO.	P/N	DESCRIPTION	QTY.
1	BPSQ-2	BASE	1
2	TBSQ-3.25	HUB	1
3	LNMR-8	DISC	1
4	HKETS-38	Tube	1
5	CARD-58	LOCK	1



UNLESS OTHERWISE STATED

.X	±.3mm
.XX	±.15mm
.XXX	±.008mm

COPYRIGHT © Allied Brass 2016



THIRD ANGLE PROJECTION

DRAWN	4/26/2016	I.M
CHECKED	4/26/2016	P.D
APPROVED	4/26/2016	R.A

MATERIAL:	BRASS	
DESCRIPTION:	Tissue Holder	

FINISH	TBD		
QUANTITY	TBD		
DRAWING No.		REV	
MT-24E		0	
SCALE	1:2	SHEET: 01	A4